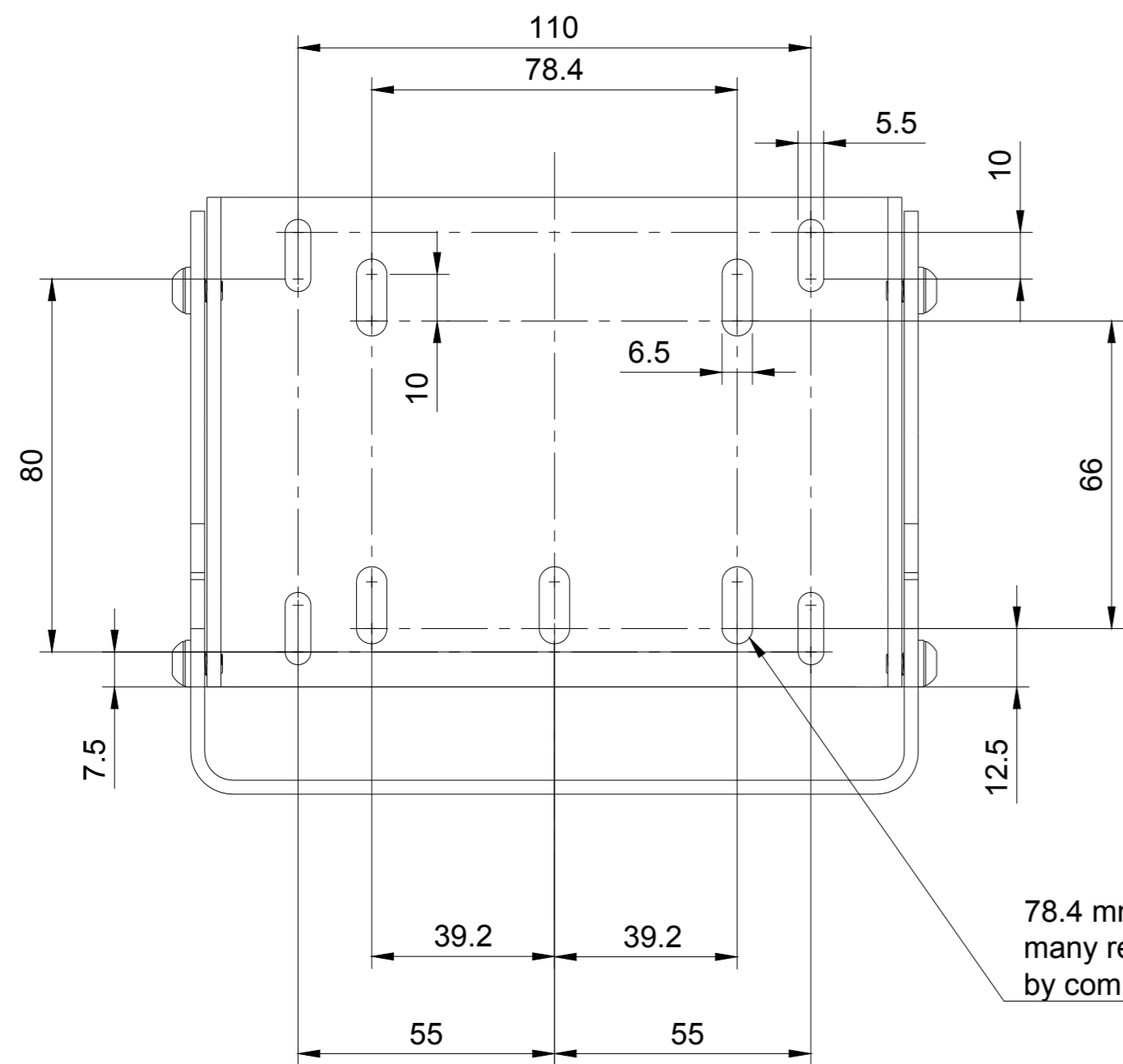
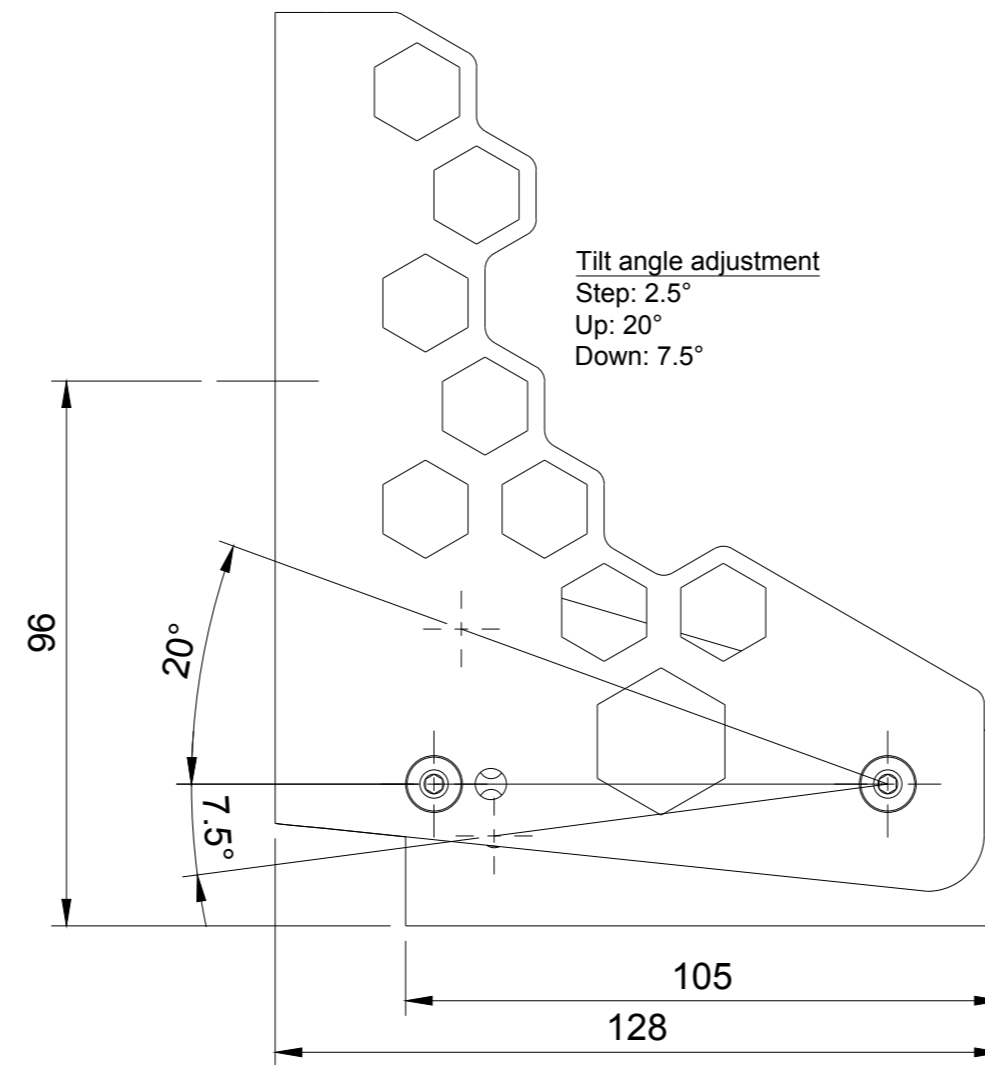
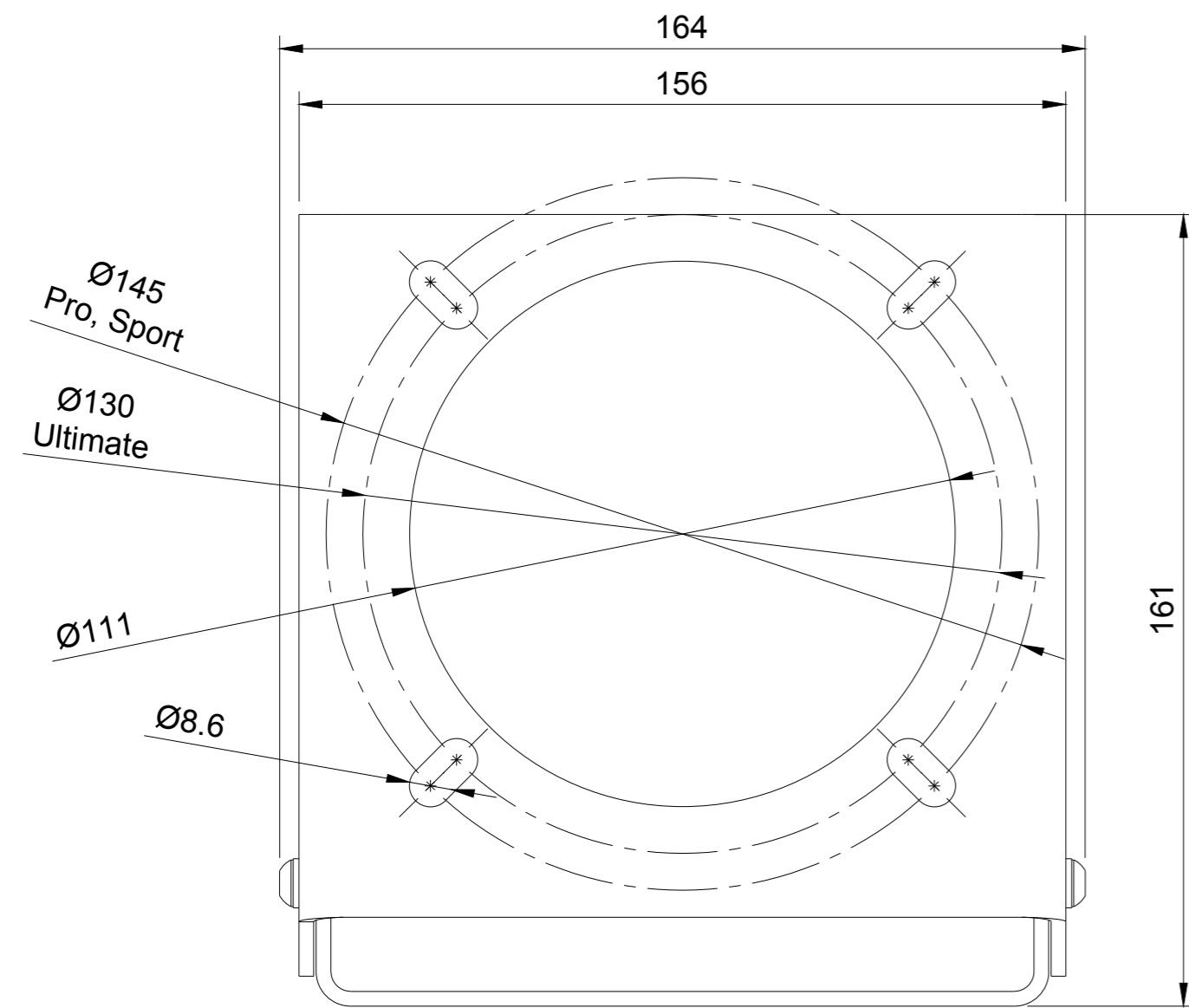
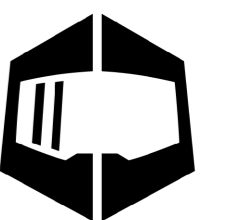
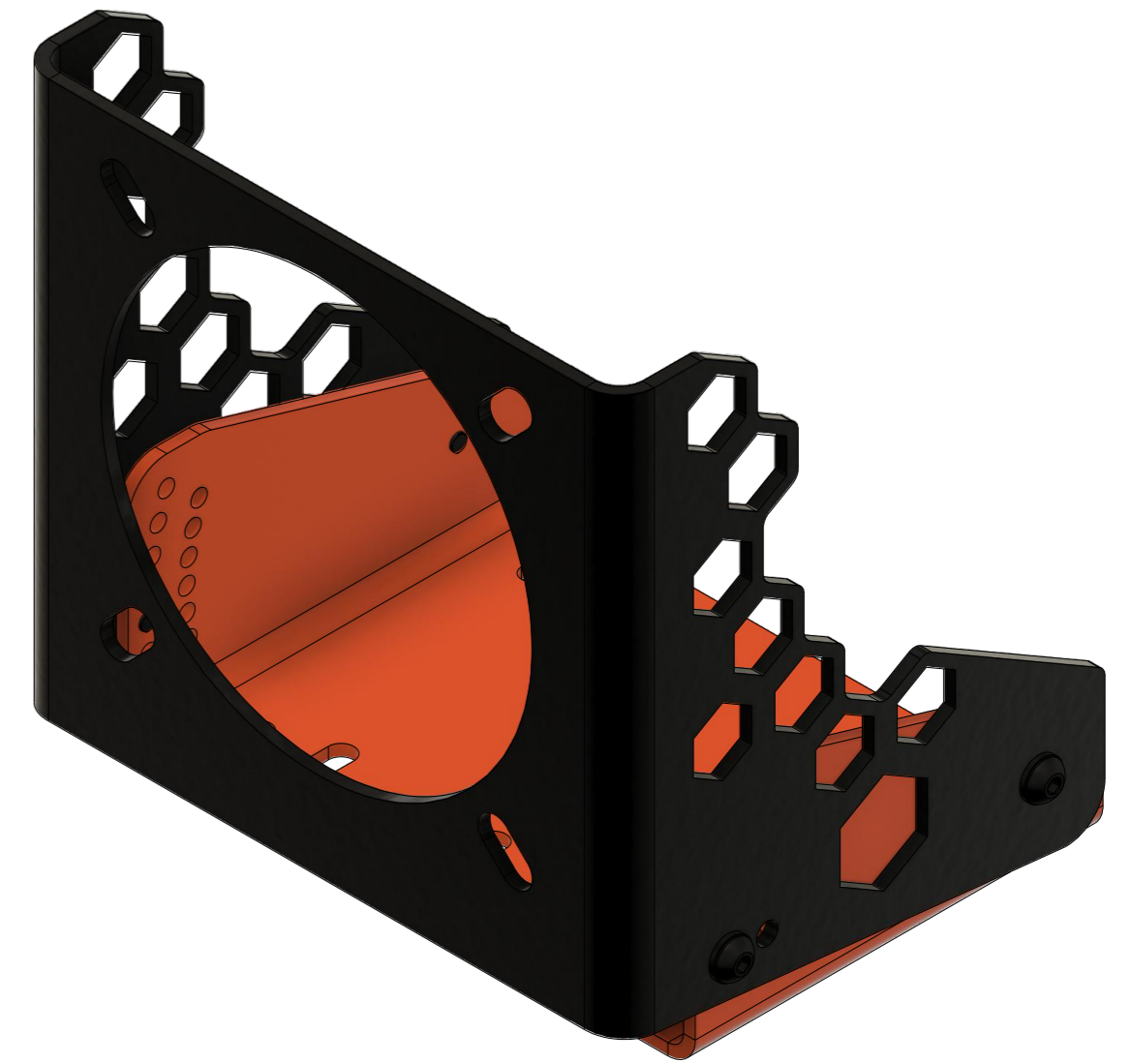


Simucube Mount

All dimensions in mm



78.4 mm x 66 mm hole pattern is compatible with many readily available deck mounts, check compatibility by comparing to manufacturer's drawings.



SIMUCUBE